

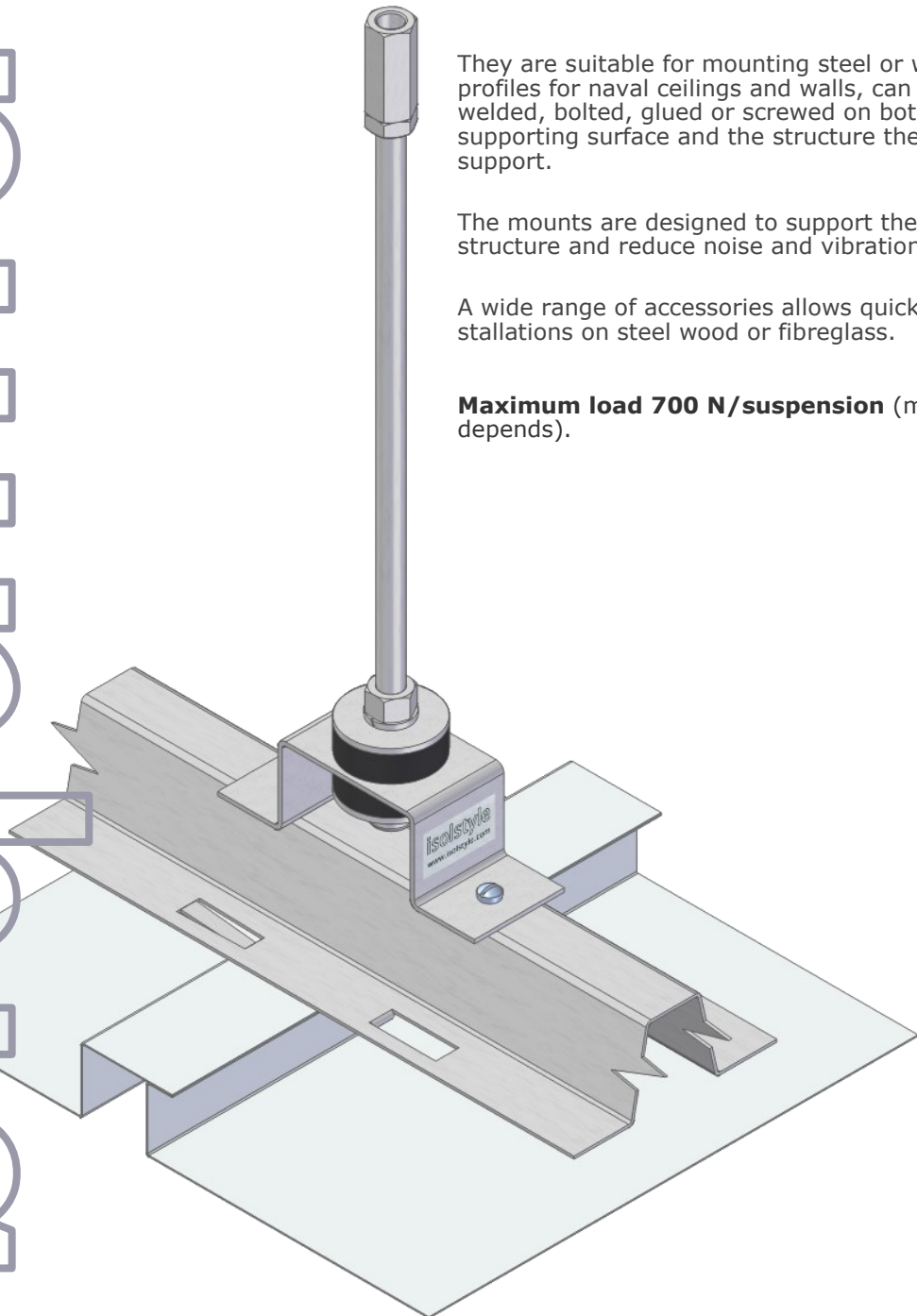
## Anti-vibrating mounts for naval ceilings and walls

They are suitable for mounting steel or wood profiles for naval ceilings and walls, can be welded, bolted, glued or screwed on both the supporting surface and the structure they support.

The mounts are designed to support the structure and reduce noise and vibrations.

A wide range of accessories allows quick installations on steel wood or fibreglass.

**Maximum load 700 N/suspension** (model depends).



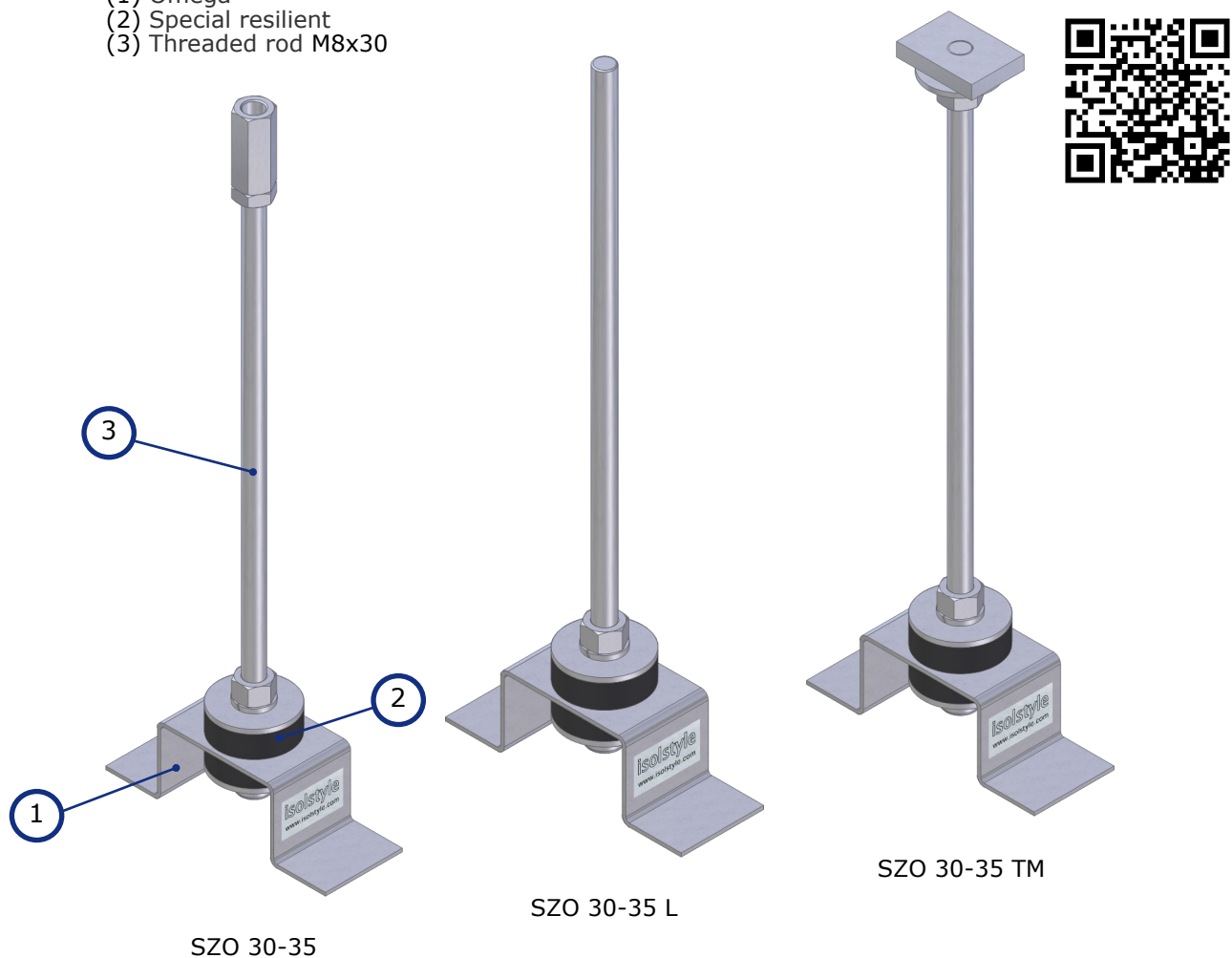
# biquindici



## Omega resilient hangers for ceilings

Item #	Length (mm)	Threaded rod Length (mm)	Weight (kg)	Junction system / Note
(1) SZO 30-35	280 ~	M8x250	0,247	Hex coupling nut M8x30
(1) SZO 30-35 L	260 ~	M8X250	0,221	-
(1) SZO 30-35 TM	260 ~	M8x250	0,250	Hammer head

- (1) Omega
- (2) Special resilient
- (3) Threaded rod M8x30



### Note

**Maximum load 700 N/hanger, recommended load with safety factor 2 (two) 350 N/hanger.**

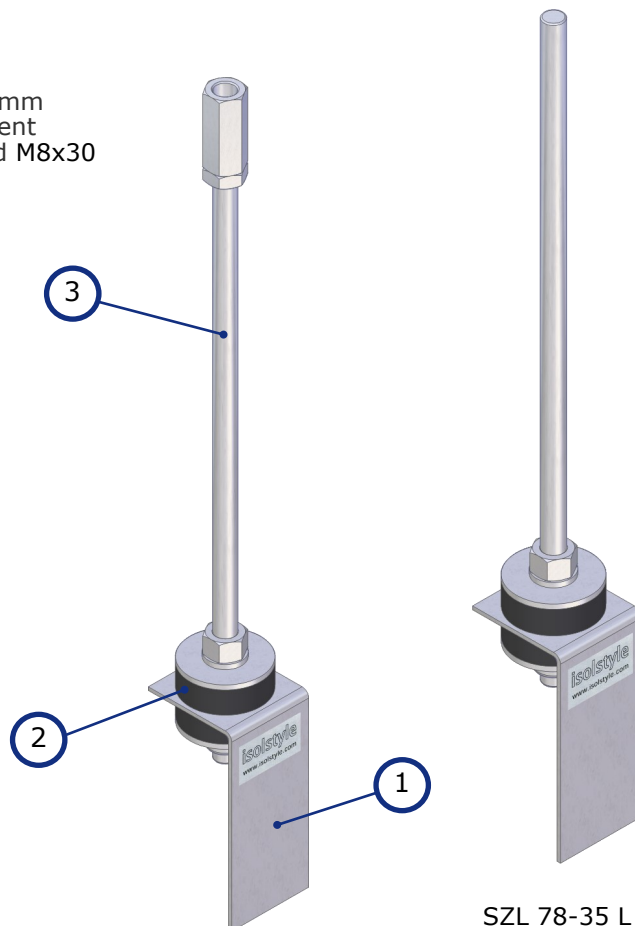
**Tensile and compression strength tests performed at a SINAL accredited laboratory**

Test report 151375 del 19/12/12

## “L” resilient hangers for ceilings

Item #	Length (mm)	Threaded rod Length (mm)	Weight (kg)	Junction system /Note
(2) SZL 78-35	315 ~	M8x250	0,230	Hex coupling nut M8x30
(2) SZL2 78-35	315 ~	M8X250	0,245	Hex coupling nut M8x30 Angle 2,0mm thickness
(2) SZL 78-35 L	300 ~	M8X250	0,203	-
(2) SZL2 78-35 L	300 ~	M8X250	0,218	Angle 2,0mm thickness

- (1) Angle 78x35mm
- (2) Special resilient
- (3) Threaded rod M8x30



SZL 78-35 L

### Note

SZL 78-35

**Maximum load 600 N/hanger, recommended load with safety factor 2 (two) 300 N/hanger.**

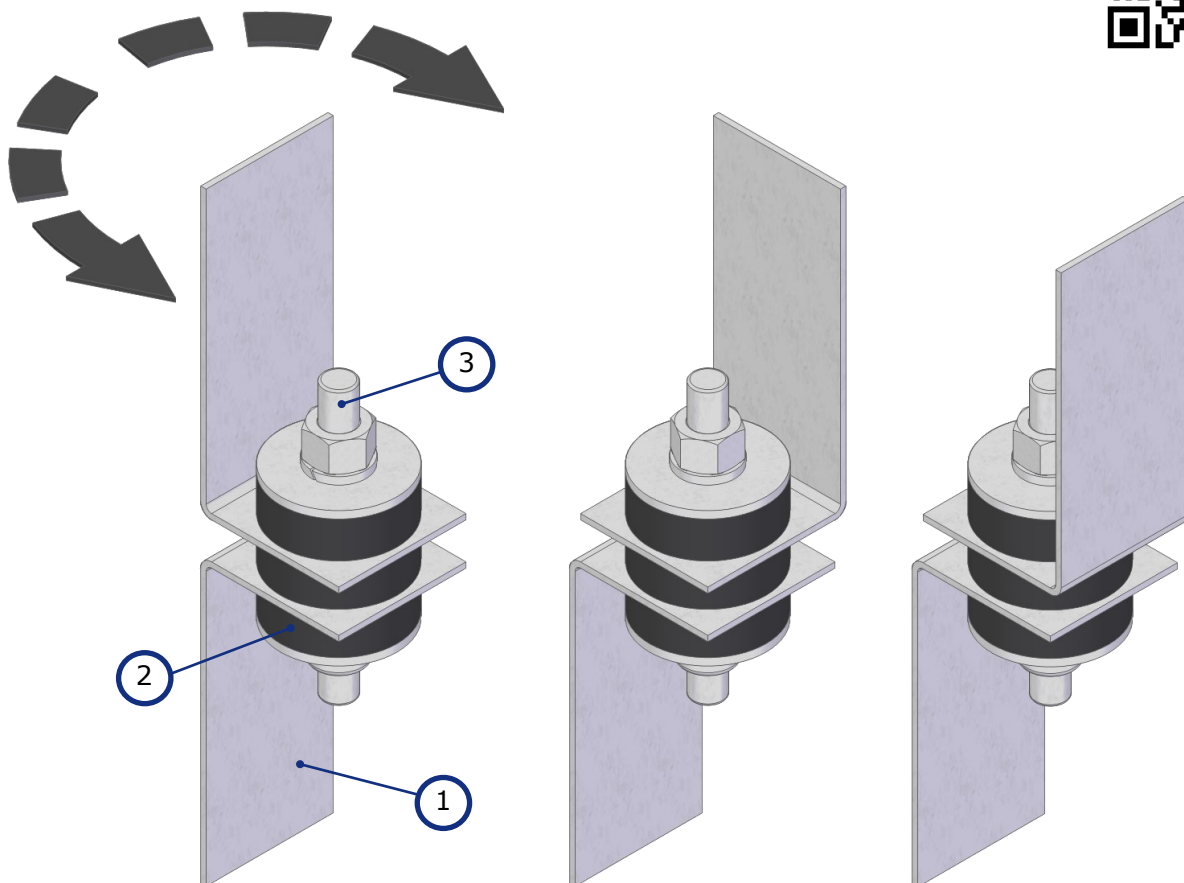
**Tensile and compression strength tests performed at a SINAL accredited laboratory**

Test report 204234 del 10/11/15

## Double "L" antivibration for walls

Item #	Length (mm)	Threaded rod Length (mm)	Weight (kg)	Junction system /note
(3)SZL-D 78-35	166 ~	M8x75	0,191	-
(3)SZL-D2 78-35	166 ~	M8x75	0,221	Angle 2,0mm thickness

- (1) Angle 78x35mm
- (2) Special resilient
- (3) Threaded rod M8x75mm



SZL-D 78-35 - SZL-D2 78-35

### Note

Angles can be rotated easily to fit the structures to which they are applied.  
The dimensions of "L" angle are customizable.

## Technical features

All components are in carbon steel zinc coated Cr (VI) free, or stainless steel for special applications.

Standard threaded rod length (omega and L hangers) 250mm max. length 1000mm

On request threaded rod with length: 100 - 200 - 500 - 1000mm

Standard threaded rod length (double L anti vibration) 75÷80mm

Special resilient with standard hardness  $60 \pm 5$  Shore A ozone-resistant, thermal excursions, aging, sea water and contact with low-concentration acids and solvents.

On request resilient with hardness 40 - 50 - 70 Shore A to be quoted separately.

Fastening with hex coupling nut M8x30 item SZO 30-35 - SZL 78-35

Hammer head item SZO 30-35 TM

- (1) Stainless steel Item #SIO 30-35 #SIO 30-35 L #SIO 30-35 TM
- (2) Stainless steel Item #SZL 78-35 #SZL2 78-35 #SZL 78-35 L #SZL2 78-35 L
- (3) Stainless steel Item #SZL-D 78-35 #SZL-D2 78-35

ALL SUSPENSIONS MUST BE MOUNTED PERPENDICULAR TO THE SUPPORTING CEILING STRUCTURES



## Packaging

<sup>(1)(2)</sup> Container from 50 pieces in polypropylene plastic reusable and / or recyclable, dimensions: LxHxh 390x280x280mm (15<sup>1/4</sup>"x11"x11") weight about 15 kg.

<sup>(1)(2)</sup> Container from 100 pieces in polypropylene plastic reusable and / or recyclable, dimensions: LxHxh 570x390x280mm (22<sup>1/2</sup>"x15<sup>1/4</sup>"x11") weight about 30 kg.

- (1) Inner anti moisture plastic bag.
- (2) Technical documentation included.

## Note

On aluminium structures to prevent corrosion phenomena, use the appropriate gasket.

## Link

<https://www.b15.it/sospensioni-antivibranti-soffitti-navali.html>

<https://www.b15.it/sospensione-soffitto-omega.html>

<https://www.b15.it/sospensione-soffitto-elle.html>

<https://www.b15.it/antivibrante-parete.html>

<https://www.b15.it/news-2013-b15.html#gennaio2013>

<https://www.b15.it/news-2015-b15.html#novembre2015>

